



Installation manual for track lights

## Argo Series

IP20

220-240V - 50/60 Hz

# NERA

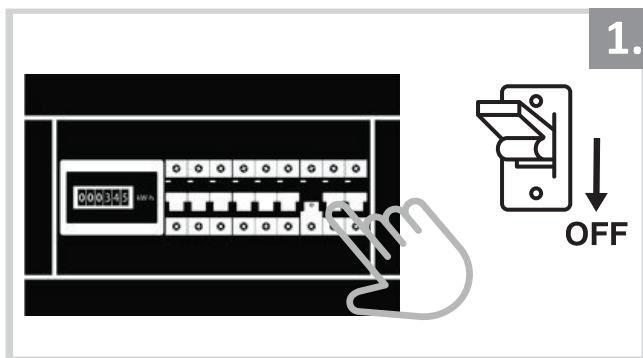
LIGHT

Istanbul, Turkey

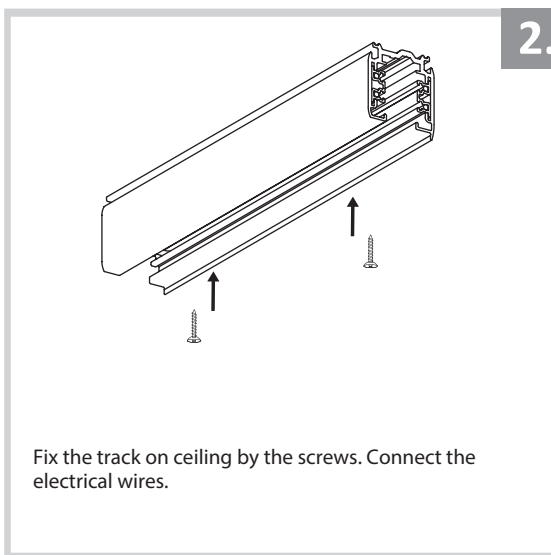
Phone: +90 216 784 93 72

info@neralight.com

www.neralight.com

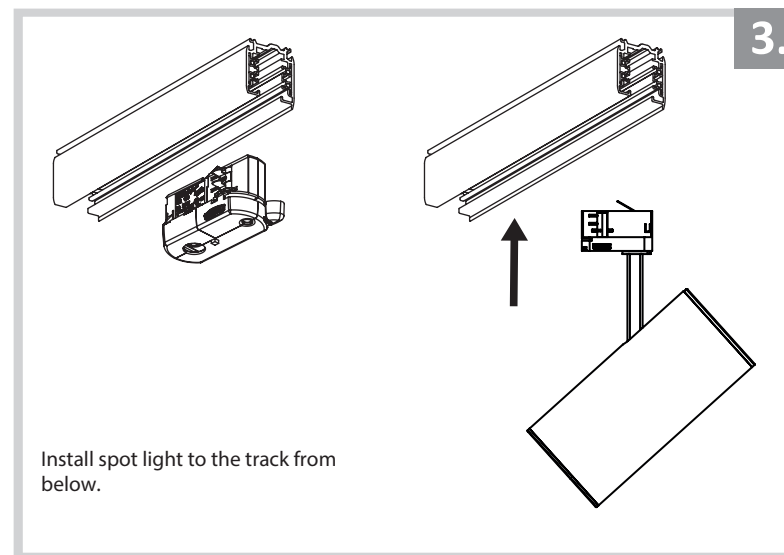


1.



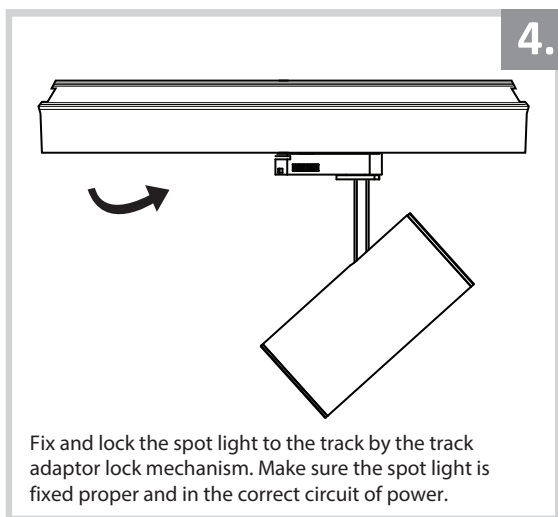
2.

Fix the track on ceiling by the screws. Connect the electrical wires.



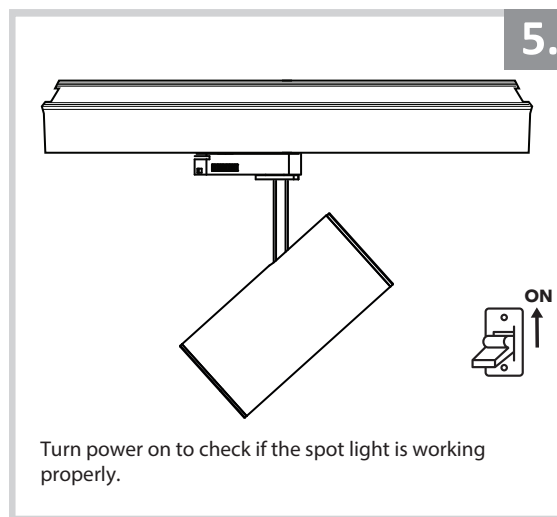
3.

Install spot light to the track from below.



4.

Fix and lock the spot light to the track by the track adaptor lock mechanism. Make sure the spot light is fixed proper and in the correct circuit of power.



5.

Turn power on to check if the spot light is working properly.



### WARNING

- 1) Please inform yourself about the local waste disposal collection system for electrical and electronic products. Please act according to your local rules and do not dispose of your old product with your normal household waste.
- 2) The system should be installed by a qualified electrician only.
- 3) The control gear in this luminaire shall only be replaced by the manufacturer or his service agent or a similar qualified person. The light source contained in this luminaire is not replaceable, in case of damage replace the luminaire.
- 4) Product is suitable for usage in indoor areas with no contact to water, humidity or environmental challenges.

